

BELT CONVEYORS

BM 8434/8444

Straight

Center drive + upper arch + feed



24V

48V

400V

Product description

The belt conveyor is used for transporting all types of goods on inclines and declines. Arch and feed allow a smooth and more quiet transition at the upper and lower kink. The belt conveyor is available with gear motor (BM 8434) or drum motor (BM 8444).

The design with gear motor (BM 8434) can also be used in the chill area.

Scope of delivery

- Supply incl. 1 sensor
- Module is completely assembled, maybe split into sections
- Please order supports and end caps separately



BELT CONVEYORS BM 8434/8444

Straight
Center drive + upper arch + feed

Technical data

General technical data	
Max. load capacity*	50 kg/m (standard)
Max. load capacity per module*	550 kg
Conveyor speed*	0.1 to 2.5 m/s (at 50 kg)
Incline/decline	Max. 18°
Ambient temperature	+5 to +40 °C (drum motor); -5 to +40 °C (gear motor)
Drive	
Rated voltage	400 V
Electrical power	Max. 3 kW
Motor type	Drum motor/gear motor
Materials	
Conveyor belt	2-layer, PVC, grooved longitudinally
Slider bed	Zinc-plated sheet steel 2.5 mm Zinc-plated sheet steel 3 mm (from BF = 840 mm)

*The combination of maximum values is not always possible.

BELT CONVEYORS

BM 8434/8444

Straight

Center drive + upper arch + feed

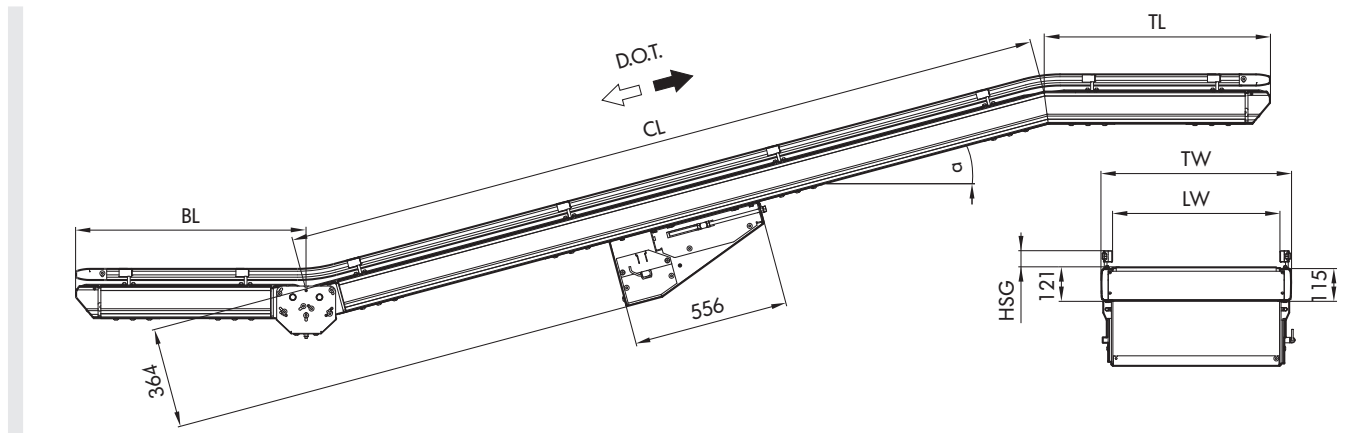


24V

48V

400V

Dimensions



BF	Rated width	420, 620, 840 mm (others on request)
LW	Clear width	BF (+120/-90 mm per side with flexible side guide)
ML	Module length	1500 to 20010 mm
CL	Length of incline or gradient part	ML - TL - BL
TL	Top length	720 to 2160 mm
BL	Bottom length	720 to 1020 mm
TW	Module width	BF + 80 mm
HSG	Side guide height	35 - 65 mm
α	Incline/Decline angle	6°/9°/12°/15°/18°