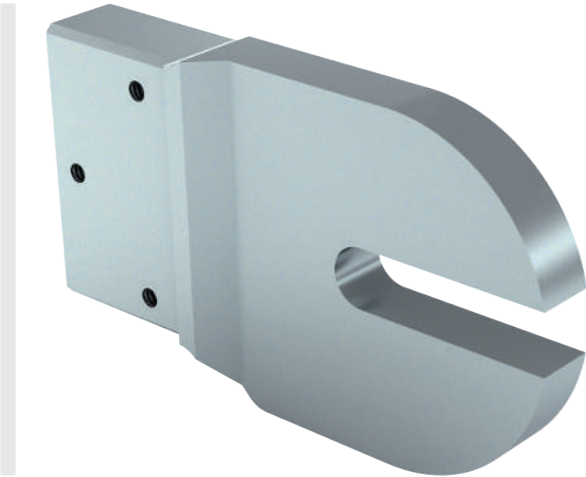


DM SERIES OPTIONS AND ACCESSORIES MOUNTING BRACKETS

Mounting brackets



In order to securely fasten Interroll Drum Motors, the corresponding deflection drums or motors with cable connectors or terminal boxes, suitable brackets made of stainless steel, aluminum and PE are available. It is important that the drum motors feature a continuous threaded hole in the front shaft and deflection drums a corresponding drilled hole in both shaft ends.

For the dimensions of shafts with threaded holes, refer to the dimensional drawings for the corresponding drum motor.

Product selection

Drum motor	Idler pulley	Fastening set	Material	Electrical connector	Article number			
					WAF 13.5 mm	WAF 20 mm	WAF 25 mm	WAF 30 mm
DM 0080		A + B	Aluminum	Elbow connector Straight connector Terminal box	61008694	61113879	61113880	
	IM 0080	B + C	Aluminum		61008696	61113885	61113886	
DM 0080		A + B	PE	Elbow connector Straight connector Terminal box	61008693	61113889	61113890	
	IM 0080	B + C	PE		61008695	61113895	61113896	
DM 0080		A + B	Stainless steel	Elbow connector Straight connector Terminal box	61113943	61113944	61113945	
	IM 0080	B + C	Stainless steel		61113946	61113947	61113948	
DM 0113		A + B	Aluminum	Elbow connector Straight connector Terminal box		61008698	61115658	
	IM 0113	B + C	Aluminum			61008701	61115664	
DM 0113		A + B	PE	Elbow connector Straight connector Terminal box		61006805	61115659	

DM SERIES

OPTIONS AND ACCESSORIES

MOUNTING BRACKETS

Drum motor	Idler pulley	Fastening set	Material	Electrical connector	Article number			
					WAF 13.5 mm	WAF 20 mm	WAF 25 mm	WAF 30 mm
	IM 0113	B + C	PE			61008700	61115665	
DM 0113		A + B	Stainless steel	Elbow connector Straight connector Terminal box		61115655	61115657	
	IM 0113	B + C	Stainless steel			61115654	61115663	
DM 0138		A + B	Aluminum	Elbow connector Straight connector Terminal box		61008704	61116284	
	IM 0138	B + C	Aluminum			61008706	61116286	
DM 0138		A + B	PE	Elbow connector Straight connector Terminal box		61008702	61116287	
	IM 0138	B + C	PE			61008705	61116289	
DM 0138		A + B	Stainless steel	Elbow connector Straight connector Terminal box		61116298	61116295	
	IM 0138	B + C	Stainless steel			61116300	61116297	
DM 0165*		A + B	Aluminum	Elbow connector Straight connector Terminal box				61008707
	IM 0165*	B + C	Aluminum					61008708

Please take the key flat length into account when ordering the drum motor.

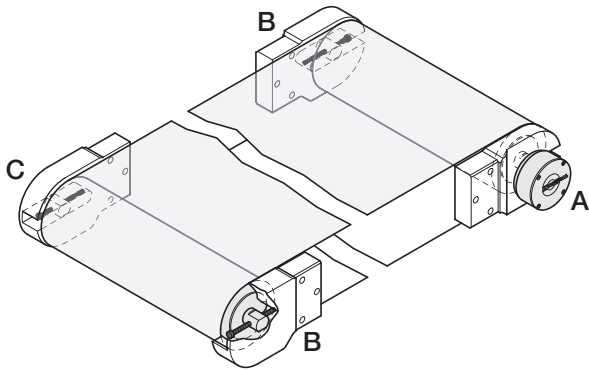
* DM 0165 only with key flat length of 25 mm

WAF = Width across flats

DM SERIES OPTIONS AND ACCESSORIES MOUNTING BRACKETS

Mounting overview

Mounting brackets must be mounted in the following way:



Dimensions DM 0080

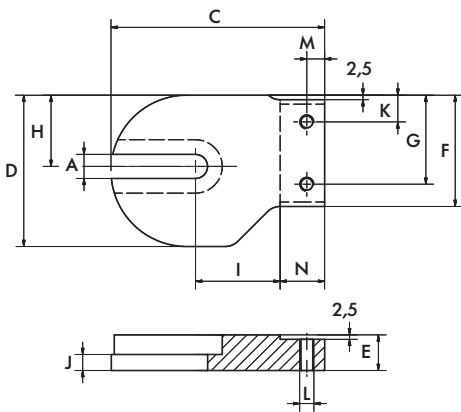


Fig.: Right mounting bracket (A) aluminum or stainless steel

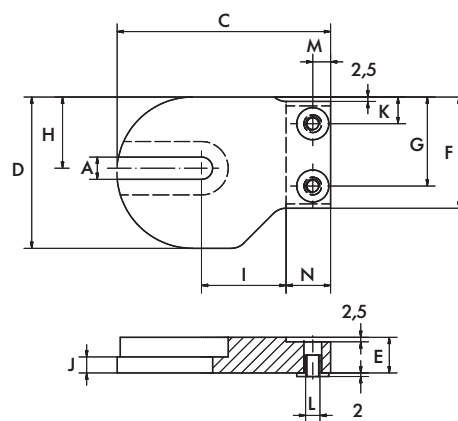


Fig.: Right mounting bracket (A) PE

Drum motor/deflection roller	A [mm]	C [mm]	D [mm]	S [mm]	F [mm]	G [mm]	H [mm]	I [mm]	J [mm]	K [mm]	L	M [mm]	N [mm]
DM 0080	13.5	120	85	20	62.5	50	40	47.5	9	15	M8	10	25
	20	120	85	20	62.5	50	40	47.5	9	15	M8	10	25
	25	120	85	20	62.5	50	40	47.5	9	15	M8	10	25

DM SERIES OPTIONS AND ACCESSORIES MOUNTING BRACKETS

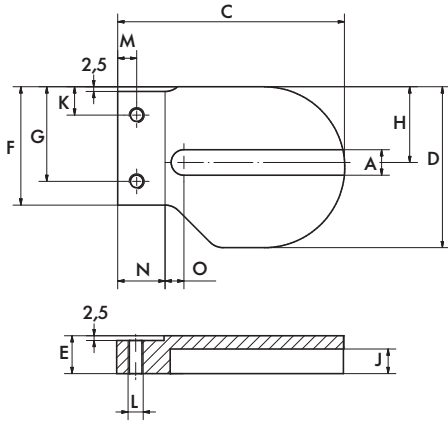


Fig.: Left mounting bracket (B) aluminum or stainless steel

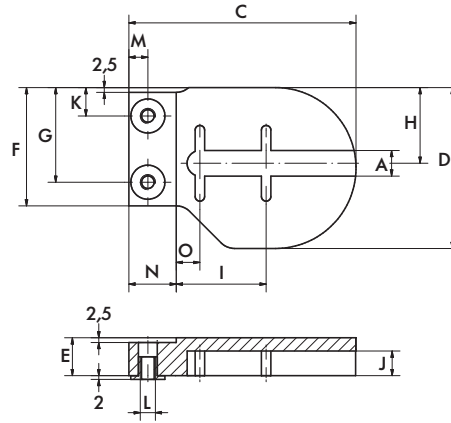


Fig.: Left mounting bracket (B) PE

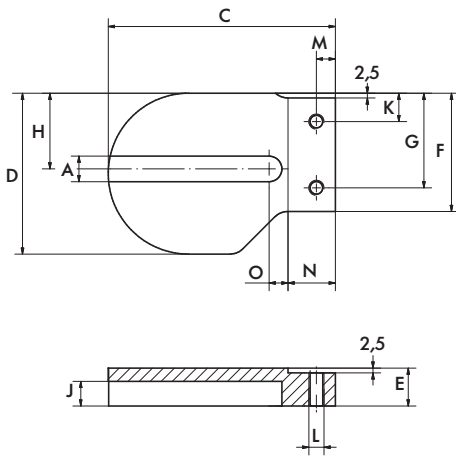


Fig.: Right mounting bracket (C) aluminum or stainless steel

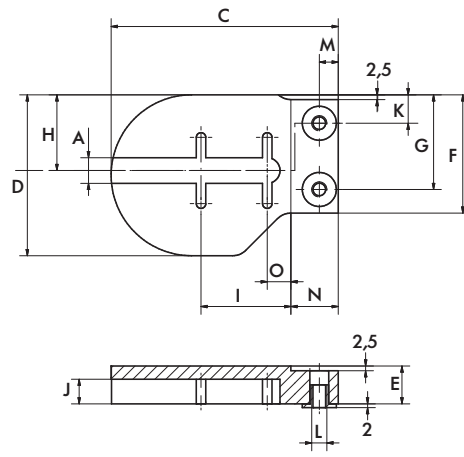


Fig.: Right mounting bracket (C) PE

Drum motor/ deflection roller	Material	A [mm]	C [mm]	D [mm]	S [mm]	F [mm]	G [mm]	H [mm]	I [mm]	J [mm]	K [mm]	L	M [mm]	N [mm]	O [mm]
DM 0080	Aluminum	13.5	120	85	20	62.5	50	40	–	13	15	M8	10	25	10
		20	120	85	20	62.5	50	40	–	13	15	M8	10	25	10
		25	120	85	20	62.5	50	40	–	13	15	M8	10	25	10
	PE	13.5	120	85	20	62.5	50	40	42.5	13	15	M8	10	25	12.5
		20	120	85	20	62.5	50	40	42.5	13	15	M8	10	25	12.5
		25	120	85	20	62.5	50	40	42.5	13	15	M8	10	25	12.5
	Stainless steel	13.5	120	85	20	62.5	50	40	–	13	15	M8	10	25	10
		20	120	85	20	62.5	50	40	–	13	15	M8	10	25	10
		25	120	85	20	62.5	50	40	–	13	15	M8	10	25	10

DM SERIES OPTIONS AND ACCESSORIES MOUNTING BRACKETS

DM 0113, DM 0138 and DM 0165 dimensions

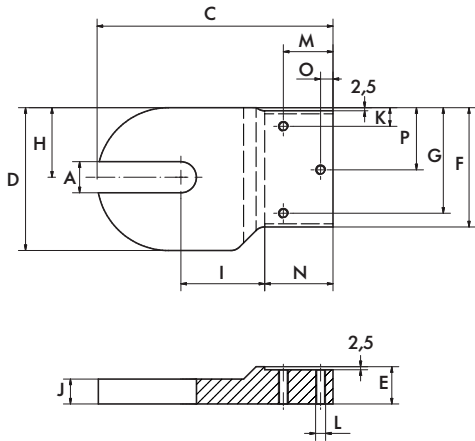


Fig.: Right mounting bracket (A) aluminum or stainless steel

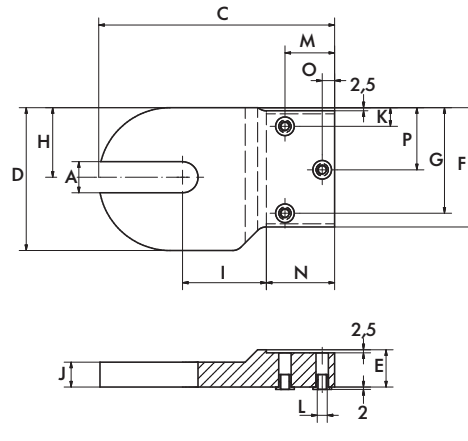


Fig.: Right mounting bracket (A) PE

Drum motor/ deflection roller	A [mm]	C [mm]	D [mm]	S [mm]	F [mm]	G [mm]	H [mm]	I [mm]	J [mm]	K [mm]	L	M [mm]	N [mm]	O [mm]	P [mm]
DM 0113	20	190	115	30	96	85	56	67.5	20	15	M8	40	55	10	50
	25	190	115	30	96	85	56	67.5	20	15	M8	40	55	10	50
DM 0138	20	200	140	30	121	110	67	65	20	15	M10	40	55	10	62.5
	25	200	140	30	121	110	67	65	20	15	M10	40	55	10	62.5
DM 0165	30	240	170	30	146	122.5	81	100	20	27.5	M10	40	55	10	75

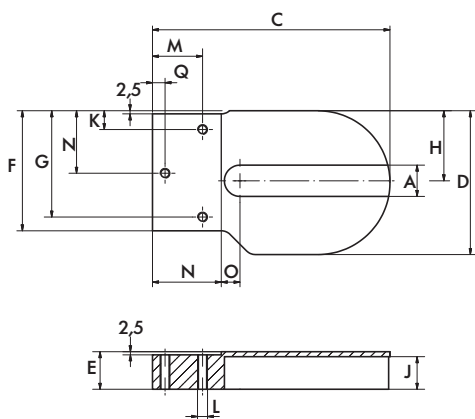


Fig.: Left mounting bracket (B) aluminum or PE

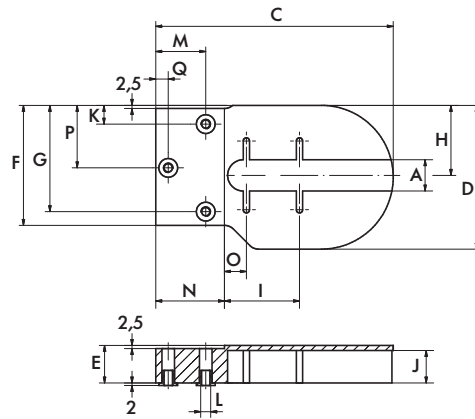


Fig.: Left mounting bracket (B) PE

DM SERIES OPTIONS AND ACCESSORIES MOUNTING BRACKETS

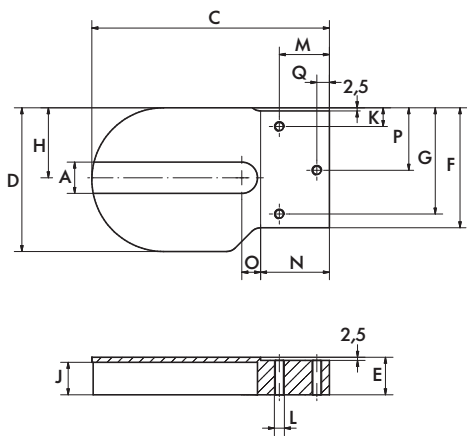


Fig.: Right mounting bracket (C) aluminum or PE

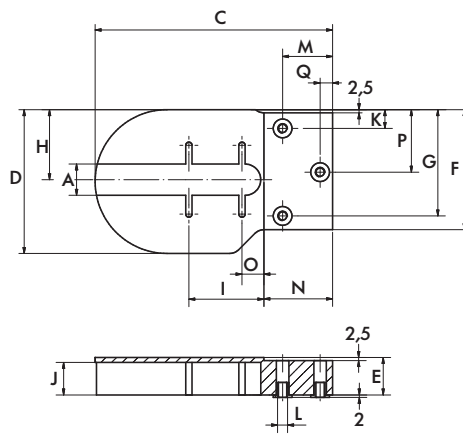


Fig.: Right mounting bracket (C) PE

Drum motor/ deflection roller	Material	A [mm]	C [mm]	D [mm]	S [mm]	F [mm]	G [mm]	H [mm]	I [mm]	J [mm]	K [mm]	L	M [mm]	N [mm]	O [mm]	P [mm]	Q [mm]
DM 0113	Aluminum	20	190	115	30	96	85	56	–	26	15	M8	40	55	15	50	10
		25	190	115	30	96	85	56	–	26	15	M8	40	55	15	50	10
	PE	20	190	115	30	96	85	56	60	26	15	M8	40	55	17.5	50	10
		25	190	115	30	96	85	56	60	26	15	M8	40	55	17.5	50	10
	Stainless steel	20	190	115	30	96	85	56	–	26	15	M8	40	55	15	50	10
		25	190	115	30	96	85	56	–	26	15	M8	40	55	15	50	10
DM 0138	Aluminum	20	200	140	30	121	110	67	–	26	15	M10	40	55	15	62.5	10
		25	200	140	30	121	110	67	–	26	15	M10	40	55	15	62.5	10
	PE	20	200	140	30	121	110	67	62.5	26	15	M10	40	55	17.5	62.5	10
		25	200	140	30	121	110	67	62.5	26	15	M10	40	55	17.5	62.5	10
	Stainless steel	20	200	140	30	121	110	67	–	26	15	M10	40	55	15	62.5	10
		25	200	140	30	121	110	67	–	26	15	M10	40	55	15	62.5	10
DM 0165	Aluminum	30	240	170	30	146	122.5	81	–	26	27.5	M10	40	55	20	75	10