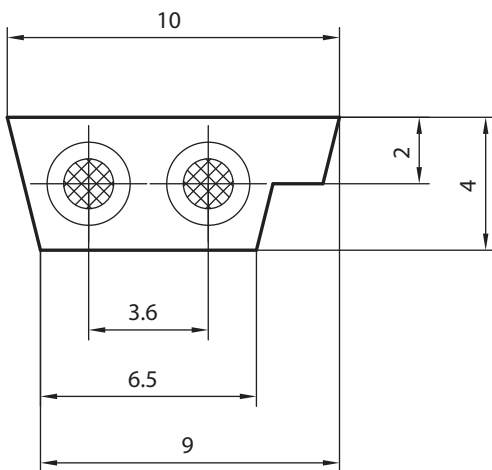


Article number: S-1106644

## Technical data

- Temperature range: -18 to 104 °F
- Strand insulation: Brown for voltage, blue for ground
- Length: 164 ft
- Cross section of braids: 2.5 mm<sup>2</sup>
- Maximum voltage: 60 V DC
- Protection rate: IP54 in contacted state
- UL CL2
- Halogen-free

## Dimensions



**Note:** Measurements in mm.

## MultiControl communication cable



The prefabricated Ethernet cable is used for communication with MultiControl. The cable allows connecting one MultiControl with another MultiControl, another bus node, a switch or a PLC.

Article number: S-1104438

## Technical data

- Temperature range: -22 to 104 °F
- Color: Green
- Length: 118"
- Outside diameter: 0.26"
- Plug connection: M12, straight on M12, straight
- Protection rate: IP67 in contacted state
- Line: Cat5, shielded
- UL1581

## MultiControl Y-cable



The Y-cable with M8 plugs enables the use of an additional input or output at the MultiControl.

Article number: S-1104460

## Technical data

- Temperature range: -22 to 104 °F
- Color: Black
- Length: 11.81" (+ plug)
- Outside diameter: 0.2"
- Plug connection with single connector: M8, straight, screwed, 4-pin, for connecting to a MultiControl
- Plug connection with dual connector: A) M8, straight, screwed, 4-pin, for connecting to a zone sensor  
B) M8, straight, screwed, 4-pin, for connecting to an input or output
- Protection rate: IP67 in contacted state

## Cable distribution

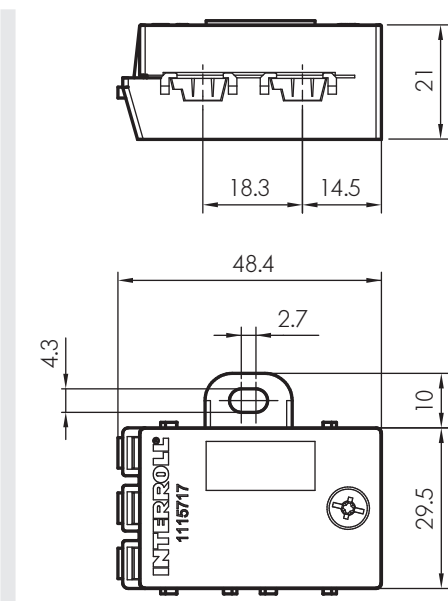
The cable distribution allows splitting a flat cable. MultiControl in its initial design (article number S-1101834) allowed connecting a second flat cable as an option for the voltage supply of connected RollerDrive. MultiControl in its new design (article number S-1103563) requires two voltage supplies in principle. If the new design of MultiControl is to be used as spare part in a system that features only flat cables for voltage supply, the cable distribution can be used.

# ACCESSORIES

The cable distribution includes two end caps for left and right design to protect the cable ends and to maintain the system protection rating of IP54.

Article number: S-1115717

## Dimensions



**Note:** Measurements in mm.

## Shield connection cable

To reduce the risk of interference effects on the communication line of MultiControl, the shield of the cable can be grounded. Both sides of the MultiControl feature a contact that is connected with the shield of the respective communication cable. The shield connection cable can be used to connect the contact with functional ground or to connect the two contacts of MultiControl with each other. The shield connection cable is 13" long and features a cable lug at each end. The cable lugs allow connecting the cable to one or both contacts of the MultiControl. The required screws and toothed washers are part of the scope of delivery.

Article number: S-1113876

## MultiControl dummy plug

The MultiControl features 4 RollerDrive, 2 communication and 4 sensor or I/O connections. If all connections are occupied, then the MultiControl has a protection rating of IP54. Based on the application, it is also possible that not all connections are occupied. If the protection rating of IP54 is to be maintained in

such cases, then it is necessary to close the open connections. The dummy plug package contains as many plugs as needed if the MultiControl has only the minimum connections.

Article number: S-1104466

Dummy plug package			
MultiControl connection	Dummy plug size	Use	Dummy plugs included
RollerDrive	M8	Insert	3
Sensor or I/O	M8	Screws	3
Communication	M12	Screws	1

The dummy plugs are delivered prefabricated for the required connections.

## Technical data

- Temperature range: -22 to 104 °F
- Color: Black

## Sealing insert for switching power supplies

The Interroll switching power supplies feature different cable grommets sealed with dummy plugs. Three different sets of sealing inserts are available for the line connection. For line connection, they ensure maintaining protection rating IP54 and providing cable relief.

## Design versions

Three different sets of sealing inserts are available:

	Set 1	Set 2	Set 3
400-VAC connections	2 pieces M25 sealing inserts for round cable $\varnothing 0.31''$ to $0.67''$		
Error connection	1 piece M12 sealing insert for round cable $\varnothing 0.08''$ to $0.2''$		
24/48-VDC connections	2 pieces M20 sealing inserts for round cable $\varnothing 0.2''$ to $0.51''$	2 pieces M20 sealing inserts for a flat cable	2 pieces M20 sealing inserts for two flat cables
Article number	S-1115405	S-1115406	S-1115407

Every power supply is delivered with a matching set. The sets can also be ordered individually.