

KEY PRODUCTS

RM 6008

Lift



24V

48V

400V

Product description

This vertical conveyor consists of a column construction and a carriage upon which conveyor components can be mounted. Lifting motion is performed by two toothed belts. The planned drive is located at the top. Integrating an encoder is possible. This lift can optionally be used at higher speeds and in several approach positions.

Scope of delivery

- Energy chain is pre-installed
- The module is fully assembled, including sensor system, but is not electrically cabled.
- Without conveyor module
- Please request protective grid and safety elements separately

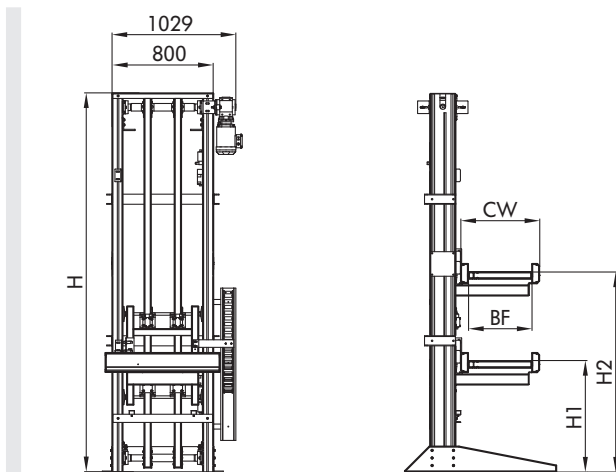


Technical data

General technical data	
Max. load capacity*	250 kg
Lifting speed	0.1 to 1.0 m/s
Ambient temperature	-5 to +40 °C
Max. stroke height	6000 mm
Startup position	Min. 2
Lifting column	200 x 80 mm (aluminum profile)
Drive	
Motor type	Worm gear motor with brake, frequency regulation on site
Rated voltage	400 V/50 Hz/3 phases
Max. electrical power	2.2 kW
Drive medium	Toothed belt

*The combination of maximum values is not always possible.

Dimensions



BF	Rated width	420, 620, 840 mm (when using Interroll modules)
H1	Lower level dimension	Min. 500 mm
H2	Upper level dimension	H1 + stroke height
H	Overall height	H2 + 800 (max. 8000 mm)
CW	Width of mounted conveyors	Max. 1300 mm

Note: The upper part of the lifting station must be supported on site above an overall height of 4000 mm.