

LCP CONVEYOR STRAIGHT CONVEYOR

48V

400V



Product description

The Straight Conveyor is part of the Interroll Light Conveyor Platform to convey goods in light industrial applications. The conveyor system includes the patented quick tension / release idler system for easy installation and change of the conveyor belt and other parts. The Interroll LCP Straight Conveyor is available in a combination of three widths and three lengths. It is prepared for plug-and-play and designed to drive in the direction of the Belt Drive.

By default, the control will be on the right side in the direction of the moving objects; it can also be installed on the left side.

The leg system of the conveyor consists of steel profiles with adjustable feet. As a result, the transfer dimensions to adjacent modules are variably adjustable and the module can be adjusted for uneven floors. The leg system can also be configured for incline/decline applications.

Benefits

- Standard plug-and-play solution
- Easy and fast installation
- Easy maintenance
- Scalable solution
- Fixed or adjustable side guides can be added
- Quick tension release for easy belt change
- Integrated photosensor placement
- Telescopic support legs, for height adjustment and incline/decline applications



LCP CONVEYOR STRAIGHT CONVEYOR

Technical data

Straight Conveyor	
General technical data	
Design	The conveyors are designed based on Interroll light industrial conveyor systems with their overall profiles and an enhanced new design that includes covers and well-integrated control. LCP consists of straight, incline, decline and transfer conveyors.
Dimensions of conveyed goods	VDA boxes, plastic bags <ul style="list-style-type: none"> • min. 80 x 80 x 20 mm • max. 600 x 600 x 600 mm
Conveyor belt speed	page 14
Incline/decline	Max. 18°
Ambient temperature	Operation: +5 to +40 °C
Humidity	93 %
Degree of cleanliness	Operating environment: IP22
Noise level	Leq < 60 db(A)
Belt drive and idler pulley	
Drive voltage	3 x 400 V/50 Hz 3 x 460 V/60 Hz
Speed	Belt drive speed is typically 5 % lower than belt speed
Power	85 -120 W
Ø Belt drive	80 mm
Ø Idler pulley	40 mm
Ø Support roller	50 mm
Materials	
Frame	2 mm hot-dipped coated galvanized steel
Support legs	3 mm powder coated steel
Side covers	Polymer
Cable channel covers	Polymer
Safety end covers	1.5 mm galvanized steel
Belt drive	Shell: tube with surface protection End housings and shaft caps: aluminum
Idler pulley	Shell and shaft: uncoated steel End caps and end housings: techno polymer
Belt	Standard belt for straight conveyor: NHM-8EKBV, page 13 Belt for incline/decline conveyor: NSL-7EEBV, page 13 Other belt types available on request.

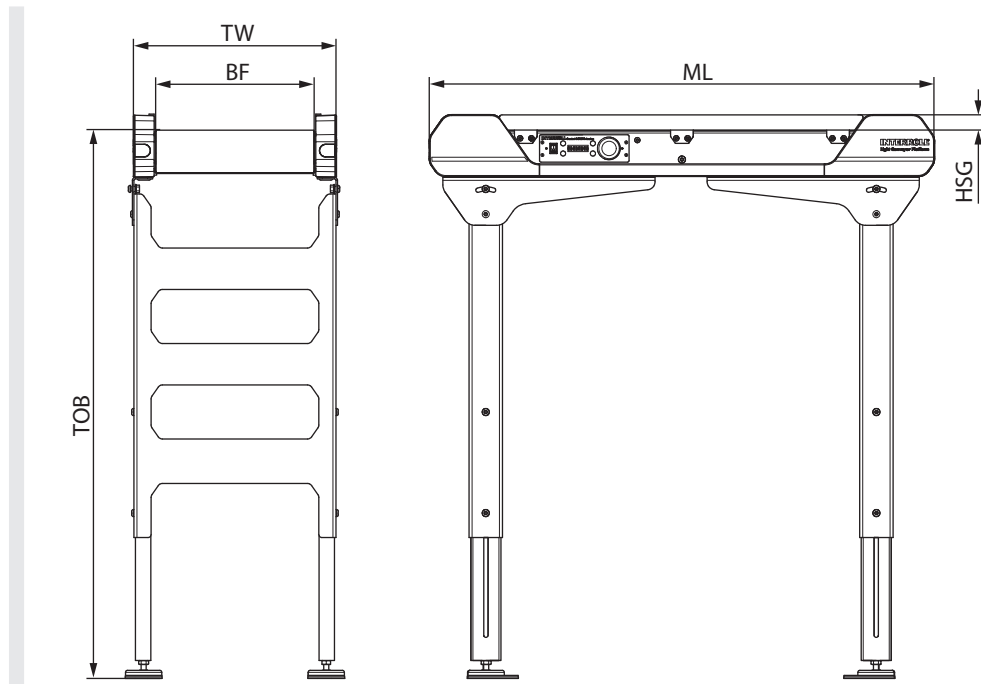
LCP CONVEYOR STRAIGHT CONVEYOR

48V

400V



Dimensions



BF	Rated width	320 / 420 / 620 mm
TOB	Top of belt	Min. 620 mm (650 mm with feet) Max. 1.700 mm (pay attention to compliance with regulations for higher use)
ML	Module length	1.000 / 2.000 / 3.000 mm
TW	Module width	406 / 506 / 706 mm
HSG	Side guide height	30 mm

LCP CONVEYOR STRAIGHT CONVEYOR

Belt types

Model	NHM-8EKBV 11 Standard	ENI-5EE ESD	NNT-10ENBU Low friction	UM100SC-B 18 Cut - Oil - Hot	NSL-7EEBV Grip
Main industry	<ul style="list-style-type: none"> Materials handling 	<ul style="list-style-type: none"> Electronics Paper manufacturing Paper printing Plastics 	<ul style="list-style-type: none"> Distribution centers General conveying 	<ul style="list-style-type: none"> Electronics Airport Automotive Metal components Plastics 	<ul style="list-style-type: none"> Distribution centers General conveying
Applications	<ul style="list-style-type: none"> Check-out belt Line belt Power turn belt 	<ul style="list-style-type: none"> Accumulation belt Infeed belt Inspection belt Processing belt Transfer belt 	<ul style="list-style-type: none"> Accumulation belt Merge belt Packaging belt Transfer belt 	<ul style="list-style-type: none"> Accumulation belt Blanking belt Infeed belt Diverting belt Light package handling Magnetic conveyor belt 	<ul style="list-style-type: none"> Acceleration belt Decline/Incline belt Feeder belt Inserting belt Sorting belt
Features	<ul style="list-style-type: none"> Flexibility Antistatic 	<ul style="list-style-type: none"> Highly abrasion resistant Antistatic Cut resistant 	<ul style="list-style-type: none"> Abrasion resistant Antistatic Low friction Low noise 	<ul style="list-style-type: none"> Chemical resistant Oil & water resistant Cut & wear resistant Impact resistant 	<ul style="list-style-type: none"> Antistatic High coefficient of friction
Construction / design					
Conveying side material	Polyvinyl chloride (PVC)	Polyurethane X-linked	Polyester (PET)	Polyester (PET) fleece	Polyvinyl chloride (PVC)
Conveying side color	Black	Black	Black	Black	Grey
Number of fabrics	2	2	2	1	2
Pulley side material	Polyester (PET)	Polyurethane X-linked	Polyester (PET)	Polyester (PET) fleece	Polyester (PET)
Characteristics					
Antistatically equipped	Yes	Yes - EN 12882	Yes	Yes - EN 12882	Yes
Flammability	No prevention property	No prevention property	Classified according to UL 94HB (USA)	No prevention property	Classified according to UL 94HB (USA)
Technical data					
Thickness	1.9 mm	1.2 mm	2.1 mm	2.5 mm	2.5 mm
Mass	2.1 kg/m ²	1.2 kg/m ²	2.3 kg/m ²	1.9 kg/m ²	2.7 kg/m ²
k1% static	8 N/mm	6.0 N/mm	9.5 N/mm	20 N/mm	10 N/mm
k1% relaxed	6 N/mm	4.2 N/mm	6 N/mm	7.7 N/mm	6.5 N/mm
Operating temperature	-10 to 70 °C	-30 to 80 °C	-20 to 80 °C	-10 to 80 °C	-10 to 60 °C
Joining method					
Low noise application	No	No	Yes	Yes	Yes
Suitable for metal detector	Yes	No	No	No	Yes

LCP CONVEYOR STRAIGHT CONVEYOR

48V

400V



Conveyor load and speed

Rated velocity v_{belt} [m/s]	0.11	0.13	0.16	0.17	0.19	0.23	0.25	0.28	0.40	0.63	0.76	0.92
Max. load on conveyor [kg]												
Straight	50	50	50	50	50	50	50	50	50	25	25	25
Incline/decline 18°	50	50	50	50	50	50	50	30	30	25	25	25